

Rol an Krap's Folding Gun Cart

This set of plans provides detailed instruction on how to construct a 4 Gun Cart that folds down to an approximate size of $49\frac{1}{2}'' \times 20'' \times 5''$. All lumber dimensions are "rough cut", not "finished cut". I purchased most of my lumber at Lowes which sells Oak in less than 6' lengths to save money.

Total cost of the project excluding finish was about \$100 in Oak. This would be significantly less in Pine.

Materials needed:

- 2 – plow handles (available from most Farm Supply stores for about \$7 each)
- 2 – 14" Wheels for $\frac{1}{2}''$ axles
- 4 – 3" hinges
- 1 – 1"x4"x8' (your choice of wood, but I used Red Oak)
- 1 – 1"x2"x24" Oak board (for platform)
- 2 – 1"x9"x24 Oak boards (for platform)
- 2 - $\frac{1}{2}'' \times 4''$ lag bolts with locking washers, washers, and nuts
- 1 – Package of self adhesive felt
- 1 – Box of #8 x $\frac{3}{4}''$ Wood Screws
- 1 – Box of #8 x 1" Wood Screws
- 1 – Box of #8 x 2" Wood Screws
- 1 – Package 2" self-adhesive Velcro
- 1 – Roll of Easy Liner Rubber Drawer Liner (for base of platform)
- 6 – Upholstery Tacks
- Store bought Ammo Box (Got mine at Walmart for less than \$20)
- 2 – 8"x1" threaded steel pipe
- 2 – 1" steel end caps
- 2 – 1" steel floor flanges
- 8' of steel or brass chain

Step 1 Getting Started

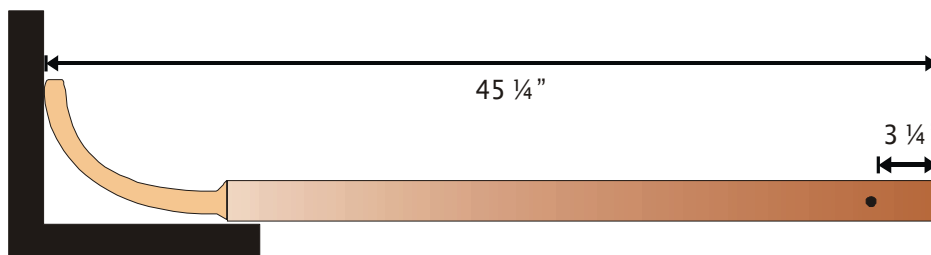
After gathering all materials, the first step is to make your platform for the guns and gear box.

This platform must measure $16\frac{1}{2}'' \times 16\frac{1}{2}''$. However you get there is up to you. I had a friend cut the 2 1x9's, biscuit and glue them together with a 1"x2" between them. It was all then cut to $16\frac{1}{2}'' \times 16\frac{1}{2}''$.

Another option is to glue these boards together and then put one or two cross pieces underneath. You can then screw the three boards together. Let the platform dry overnight.

Step 2 Cutting the Handles

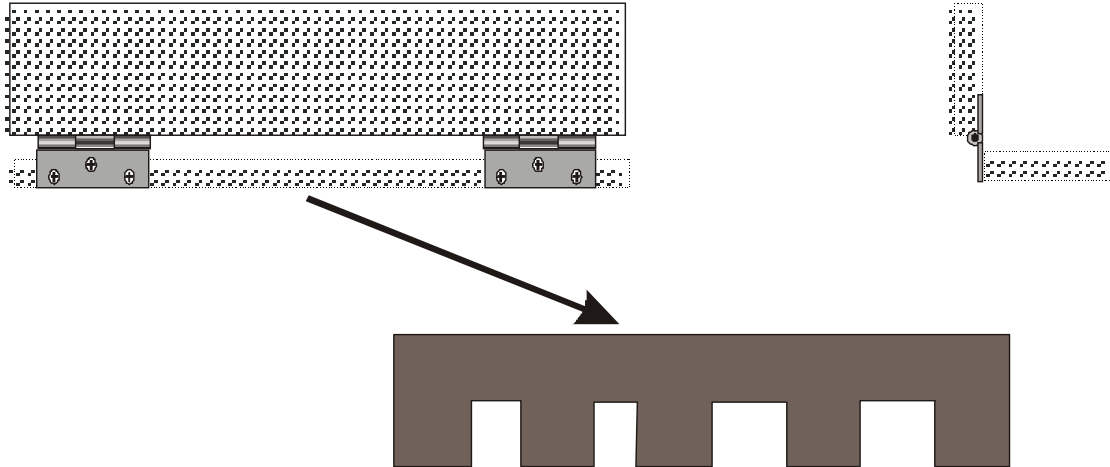
Place a framing square on the top of one of the plow handles to determine the overall length. Measure $45\frac{1}{4}''$. Mark and cut each plow handle. Assure they are the same length.



Drill a $\frac{1}{2}''$ hole in the bottom of the handle for the bolt for the wheel. This should be $3\frac{1}{4}''$ from the bottom, centered on the shank of the handle. Tip: Put them in a vise and drill both holes at the same time to make sure that they're the same.

Step 3 – Building the Gun Rack and Top Horizontal Support

Cut 2 – 16½" lengths off of the 1"x4"x8'. Sand ends. In one of them, cut desired holes for guns. Start at least two inches from the end of the board. Join with hinges as shown. Take care with the placement of the hinges.



Step 4 – Joining the Handles Together

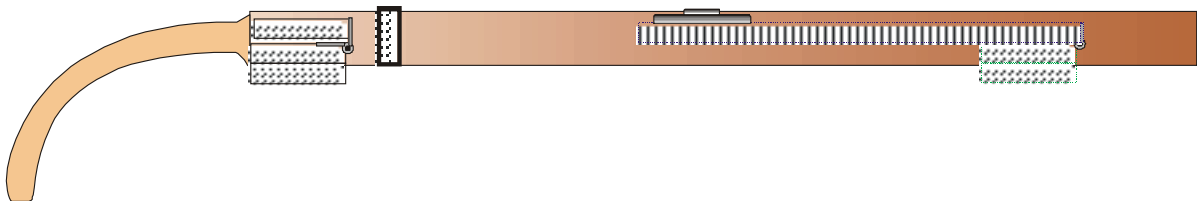
Lay the plow handles on a flat surface with the grips pointing up. Drill through the side of the handles into the horizontal piece. TIP: Rub the screws with soap first to lubricate them before screwing into the wood.

Once joined, mount a 1" block of wood under the gun rack (mounted to the side of the handle) to give it a 90° angle.

Cut another 16½" piece of 1"x4" for the bottom support. This should be about 5¾" from the bottom of the handle.

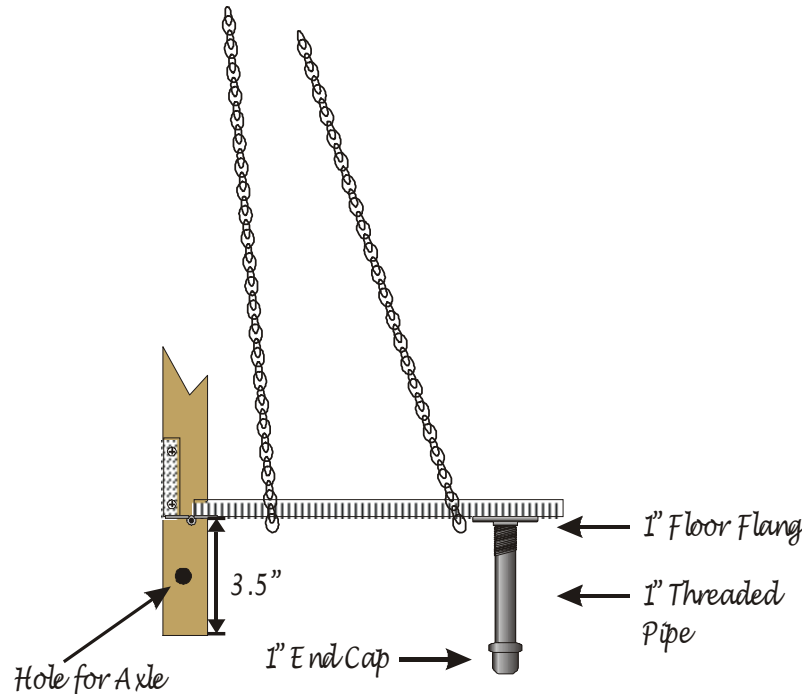
Note: As you examine the diagram, the grips of the handles should be pointing toward you.

Measure and cut two 1"x4" boards from one end of the handles to go across the entire width of the cart and mount over the horizontal pieces. This will give it additional strength.



Step 5 – Mounting the Platform

Take the platform from Step 1 and mount two hinges on the back edge. Attach to the face of the horizontal support so that the platform folds up toward the gun rack.



Step 6 – Mounting the Wheels and Front Supports

Mount the wheels onto the holes that were drilled in the handles. Use washers between the wheel and the handle, and a locking washer between the wood and the nut.

Mount Floor Flanges on underside of platform. Screw end caps on steel pipe and screw pipe into floor flanges.

Using $\frac{3}{4}$ " screws, attach 4' of chain to the **underneath** of the platform. Take up the slack and attach to the **front** of the plow handles. *Note: Do this wrong, and it won't fold up right.*

Step 7 – Finishing Touches

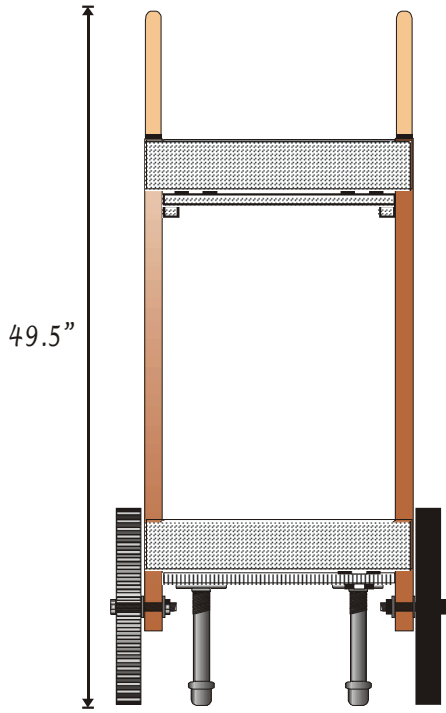
Stain, varnish or paint to suit your tastes. I used Tung Oil.

Once quite dry, use adhesive felt to pad the gun rack.

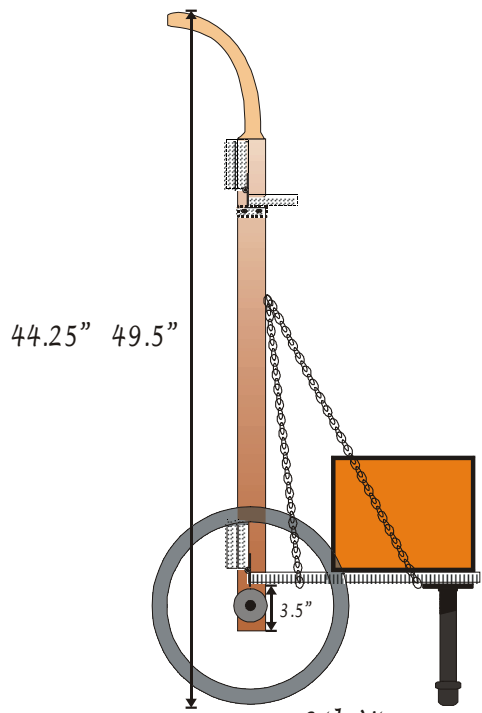
Use the upholstery tacks to attach about $5\frac{1}{2}$ " of the Easy Liner to the back of the platform, Velcro on the front to hold the ammo box.

Take a picture, it'll never look this good again! Scan and email picture to: steier@bellsouth.net.

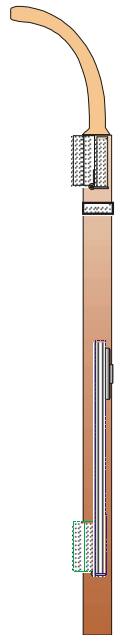
What it Should Look Like...



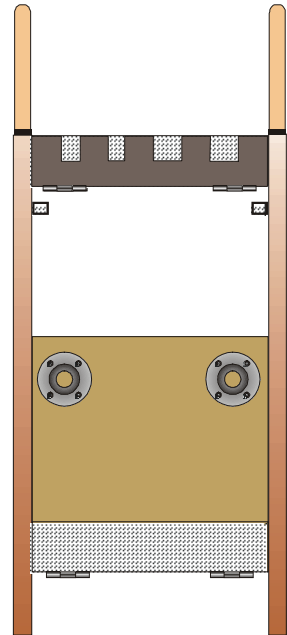
*Back View
Unfolded*



*Side View
Unfolded*



*Side View
Folded
W/ Wheels and
Legs Removed*



*Front View
Folded*